

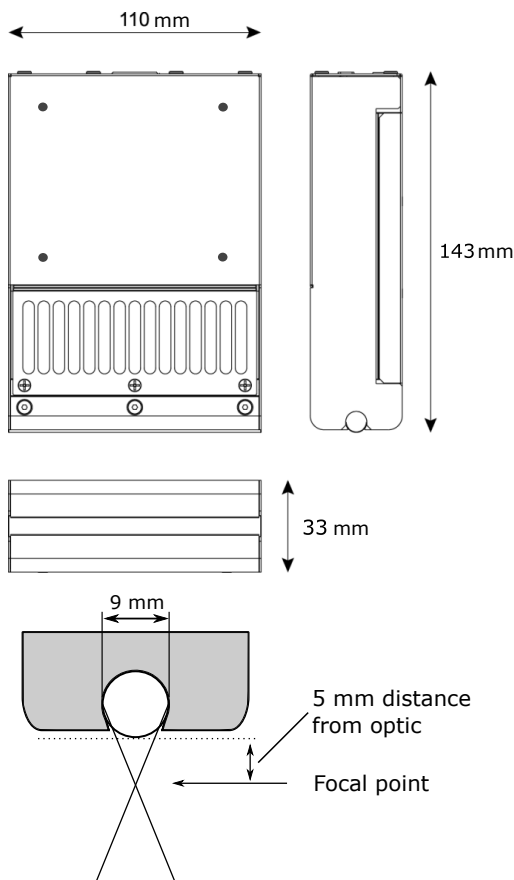


uviterno **BLACKline** **UA1R UV-LED Module**

Modular air-cooled irradiation system for low power UV curing applications.

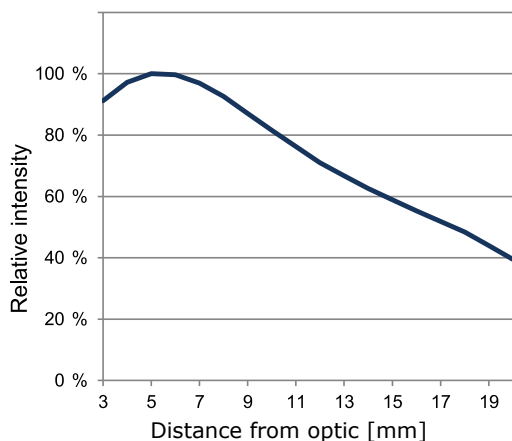
The **uviterno UA1R UV-LED Module** is an integrated solution (optics/electronics), including thermal management.

It offers an easy way to combine one module with another, simply allowing for different working widths of the UV curing system. The adaptable design ensures a seamless curing effect, even between the modules.



Specifications

Input	48 VDC (provided externally)
Width	110 mm (4.33")
Depth	33 mm (1.30")
Height	143 mm (5.63")
Power consumption	90 W
Cooling system	Air
Intensity control	1~10 V
Installation	M3 screw x 6 pcs
Air filter	Yes
Interface	3.0 mm dual row 12 pin
Operating temperature	0 - 40°C (32 - 104°F)
Protection	Overtemperature Reverse polarity



Radiant Flux Output

Following irradiance values are performed at 25°C (77°F) stable and 5 mm distance from optic:

Peak wavelength [nm]	(365)	385	395	405
Peak irradiance [W/cm ²]	(2)	6	6	6

